



PanBlast™ AirFlo BSP Remote Control Handle - Pneumatic Type

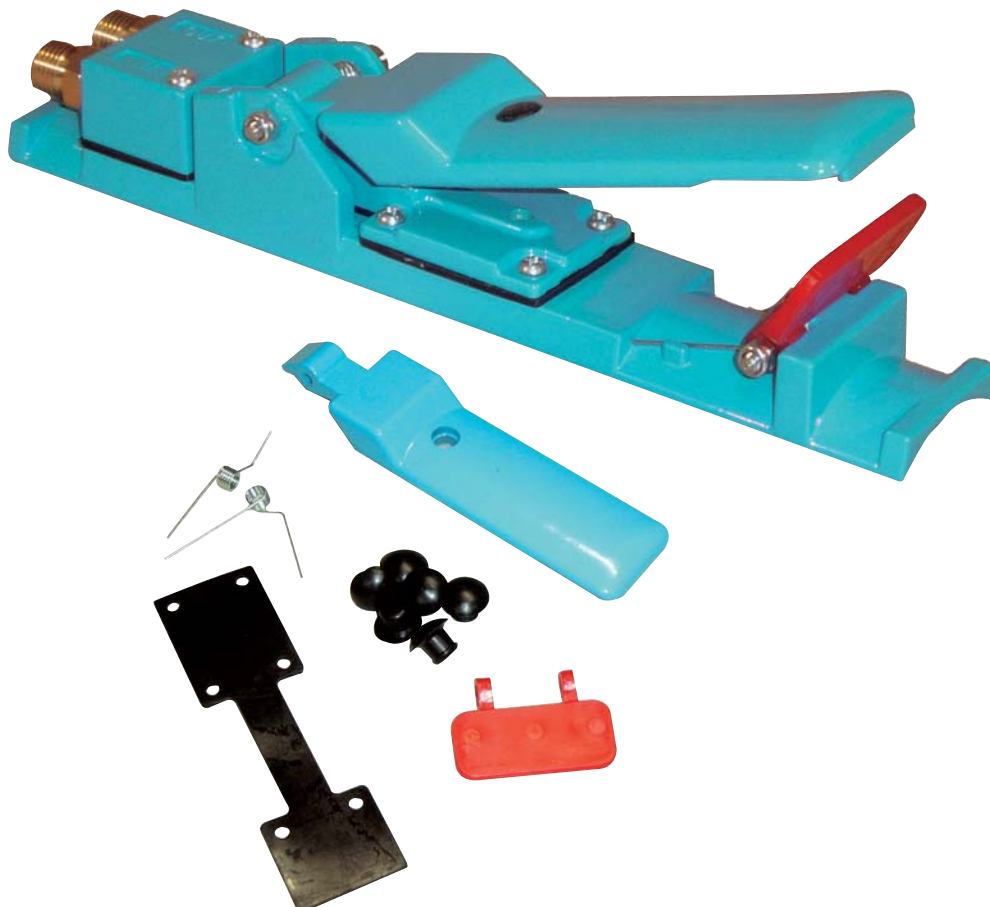


Surface Finishing
Equipment Group

PanBlast™ manufacture and supply an extensive range of Remote Control Deadman Handles available in various configurations for both pneumatic and electrical operation.

The PanBlast™ AirFlo BSP Pneumatic Remote Control Handle operates as a bleed off style handle when supplied in pneumatic form. The AirFlo Pneumatic Handle is connected to the blast pot control valve using a twinline arrangement and when un-activated the pilot signal air from the control valve bleeds off at the handle.

When activated by the operator, the AirFlo Handle closes off the bleed orifice, which then allows the signal air to return to the blast pot control valve thus activating the blast pot.



The PanBlast™ AirFlo BSP Remote Control Handles standard fitment on all standard PanBlast™ BP Series Blast Pots, and are recommended for use with the PanBlast™ UniFlo Remote Control Valve.

All data and information is subject to change without notice. Brochure reference # 05-001

Distributed by: Hogg Blasting & Finishing Equipment Ltd. Tel: 0191 415 3030 - Abraclean Ltd. Tel: 0161 480 8087 - Part of the Surface Finishing Equipment Group - www.sfeg.co.uk

PanBlast™ AirFlo BSP Pneumatic Remote Control Handle Assembly -

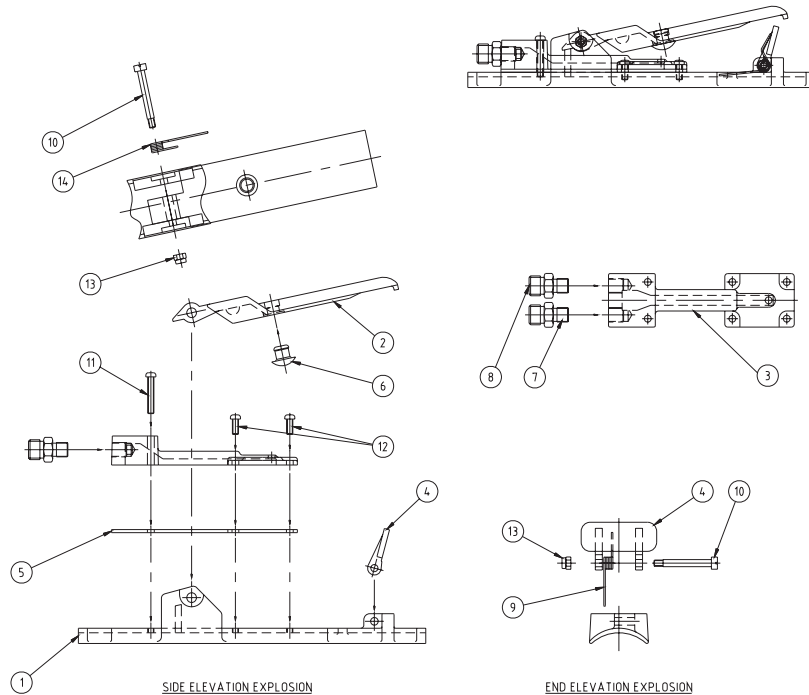
Stock Code	Description	Weight
BAC-RC-PB-0085	AirFlo BSP Control Handle - Pneumatic	0.43kg (0.95lbs)

PanBlast™ AirFlo BSP Pneumatic Remote Control Handle Parts List -

Item	Stock Code	Description	Qty
1	YAC-RC-PB-0058	Body	1
2	BAC-RC-PB-0059	Lever	1
3	YAC-RC-PB-0060	Pneumatic Manifold	1
4	YAC-RC-PB-0061	Lever Safety Lock	1
5	YAC-RC-PB-0062	Gasket	1
6	YAC-RC-PB-0063	Bumper Button	1
7	YAC-RC-PB-0064	Nipple - 1/8" x 1/4" BSP Restricted	1
8	YAC-RC-PB-0087	Nipple - 1/8" x 1/4" BSP Unrestricted	1
9	YAC-RC-PB-0065	Spring Safety Lock	1
10	YAC-RC-PB-0066	Shoulder Screw x 32mm Long	2
11	YAC-FN-PB-0158	M4 x 25mm Philips Button Head Machine Screw	2
12	YAC-FN-PB-0159	M4 x 10mm Philips Button Head Machine Screw	4
13	YAC-FN-PB-0141	Lock Nut M4	2
14	YAC-RC-PB-0067	Lever Spring	1

PanBlast™ AirFlo BSP Pneumatic Remote Control Handle Service Kits -

Stock Code	Description
BAC-RC-PB-0011	AirFlo BSP Control Handle Service Kit - Includes items 2, 4, 5, 6 (6 off), 9 & 14
BAC-RC-PB-0116	AirFlo BSP Handle Bumper Button Kit - Includes item 6 (6 off)
BAC-RC-PB-0117	AirFlo BSP Handle Lever Spring Kit - Includes item 14 (6 off)



Surface Finishing
Equipment Group



Distributed by:
Hogg Blasting & Finishing Equipment Ltd
Tel: 0191 415 3030

Abraclean Ltd
Tel: 0161 480 8087

Part of the Surface Finishing Equipment Group
www.sfeg.co.uk

Blast Pots & Cabinets - Remote Control Valves - Abrasive Control Valves - Blast Nozzles - Nozzle Holders & Couplings - Helmets & Breathing Air Filters - Blast Suits



PanBlast™ AirStop BSP Remote Control Handle - Pneumatic Type



Surface Finishing
Equipment Group

Distributed by: Hogg Blasting & Finishing Equipment Ltd. Tel: 0191 415 3030 - Abraclean Ltd. Tel: 0161 480 8087 - Part of the Surface Finishing Equipment Group - www.sfeq.co.uk

The PanBlast™ AirStop BSP Pneumatic Remote Control Handle is a non bleed type handle, which simply shuts off the signal air in the twinline hose to the blast pot control valve when the handle is in the un-activated state.

When activated, the AirStop Handle opens and allows the signal air to return to the control valve and thus activates the blast pot.

The PanBlast™ AirStop BSP Remote Control Handles are recommended for use with PanBlast™ Kombi Remote Control Valves.



Blast Pots & Cabinets - Remote Control Valves - Abrasive Control Valves - Blast Nozzles - Nozzle Holders & Couplings - Helmets & Breathing Air Filters

PanBlast™ AirStop BSP Pneumatic Remote Control Handle Assembly -

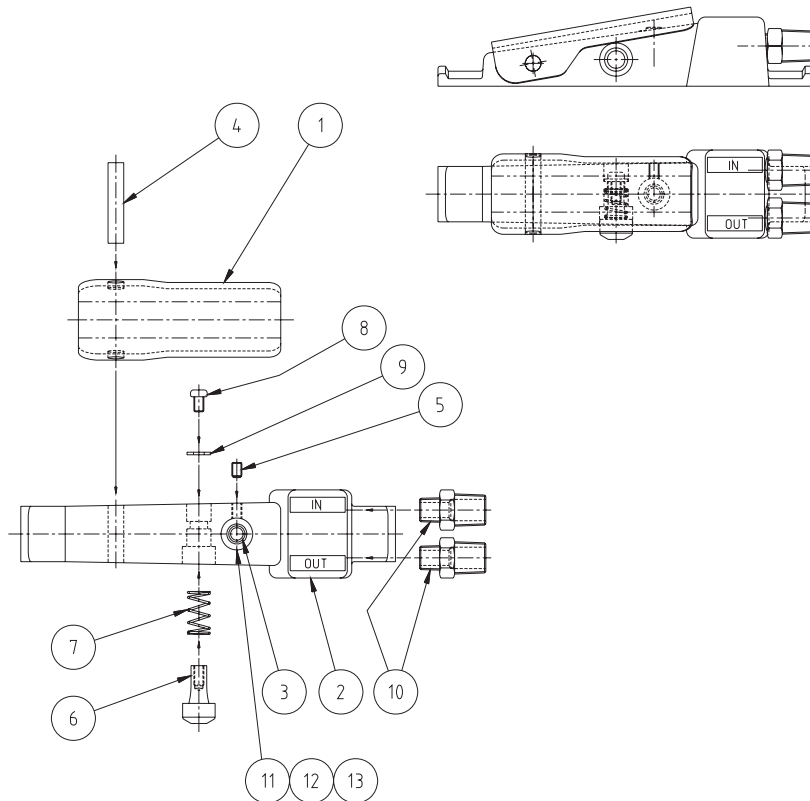
Stock Code	Description	Weight
BAC-RC-PB-0084	AirStop BSP Control Handle - Pneumatic	0.28kg (0.62lbs)

PanBlast™ AirStop BSP Pneumatic Remote Control Handle Parts List -

Item	Stock Code	Description	Qty
1	YAC-RC-PB-0048	Lever	1
2	YAC-RC-PB-0049	Body	1
3	YAC-RC-PB-0050	Plunger	2
4	YAC-RC-PB-0051	Hinge Pin	1
5	YAC-FN-0352-00	Set Screw	1
6	YAC-RC-PB-0053	Button	1
7	YAC-RC-PB-0054	Spring	1
8	YAC-FN-PB-0164	Machine Screw Button Head Phillips M4 x 6mm	1
9	YAC-FN-PB-0048	Flat Washer ID 4.5mm x OD 9mm x Thk 0.8mm Brass	1
10	YAC-RC-PB-0087	Nipple 1/8" x 1/4" BSP	2
11	YAC-RC-PB-0056	Plunger Sleeve	1
12	YAC-RC-PB-0057	Plunger Plug	1
13	YAC-BS-PB-0013	O-Ring ID 9.5mm x Dia 1.78mm	2

PanBlast™ AirStop BSP Pneumatic Remote Control Handle Service Kits -

Stock Code	Description
BAC-RC-PB-0093	AirStop BSP Control Handle Service Kit - Includes items 3, 5, 7, 8, 11, 12 & 13



Surface Finishing
Equipment Group



Distributed by:
Hogg Blasting & Finishing Equipment Ltd
Tel: 0191 415 3030

Abraclean Ltd
Tel: 0161 480 8087

Part of the Surface Finishing Equipment Group
www.sfeg.co.uk



PanBlast™ QuikStop II NPT Remote Control Handle - Pneumatic Type



Surface Finishing
Equipment Group

Distributed by: Hogg Blasting & Finishing Equipment Ltd. Tel: 0191 415 3030 - Abraclean Ltd. Tel: 0161 480 8087 - Part of the Surface Finishing Equipment Group - www.sfeq.co.uk

PanBlast™ QuikStop II NPT Pneumatic Control Handle

The PanBlast™ QuikStop II NPT Pneumatic Control Handle is designed as a basic deadman device, which allows the operator to operate the blast, without the need to hold down a lever or handle. This means the QuikStop II Handle can lead to reduced operator fatigue.

A simple ball and strap arrangement are provided to act as safety cut off, in the event that the operator drops the blast hose. One end of the strap is attached to the operator's wrist, while the other end is attached to a nylon ball. During operation, the nylon ball is inserted into the handle body, and is used to hold the valve actuator in place.

If the operator drops the hose, the wrist strap then pulls the ball from the handle, releasing the valve actuator, and thus de-activating the blast pot.



Blast Pots & Cabinets - Remote Control Valves - Abrasive Control Valves - Blast Nozzles - Nozzle Holders & Couplings - Helmets & Breathing Air Filters

All data and information is subject to change without notice. Brochure reference # 05-011

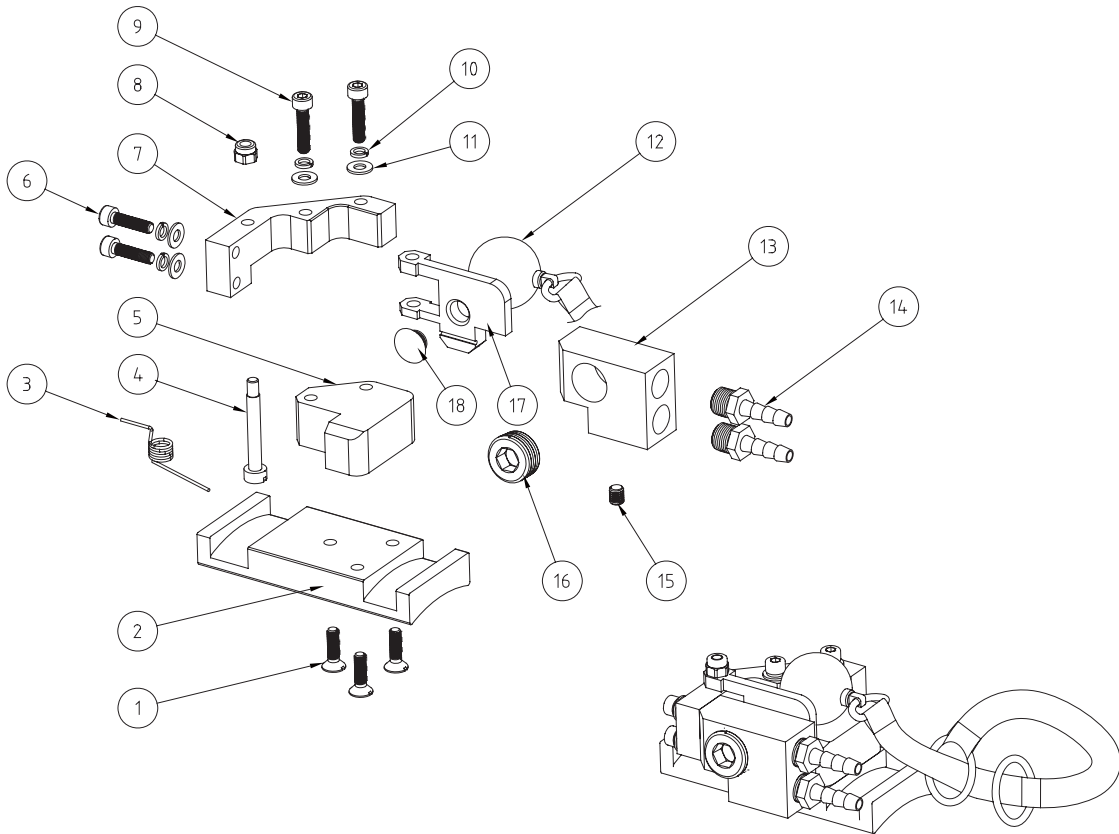
Distributed by: Hogg Blasting & Finishing Equipment Ltd. Tel: 0191 415 3030 - Abraclean Ltd. Tel: 0161 480 8087 - Part of the Surface Finishing Equipment Group - www.sfeg.co.uk

PanBlast™ QuikStop II NPT Pneumatic Control Handle Assembly -

Stock Code	Description	Weight
BAC-RC-0236-02	QuikStop II Pneumatic Control Handle	0.3kg (0.66lbs)

PanBlast™ QuikStop II NPT Pneumatic Control Handle Parts List -

Item	Stock Code	Description	Qty
1	YAC-FN-PB-0268	Machine Screw M4 x 15mm	3
2	YAC-RC-PB-0269	Base	1
3	YAC-RC-PB-0065	Safety Lock Spring	1
4	YAC-RC-PB-0271	Shoulder Screw x 29mm	1
5	YAC-RC-0538-00	Mounting Block	1
6	YAC-FN-PB-0127	Machine Screw Socket M4 x 15mm	2
7	YAC-RC-0539-00	Mounting Bracket	1
8	YAC-FN-PB-0141	Lock Nut - M4	1
9	YAC-FN-0374-00	Machine Screw Socket M4 x 18mm	2
10	YAC-FN-PB-0121	Spring Washer 4mm	4
11	YAC-FN-PB-0122	Flat Washer 4mm	4
12	YAC-RC-PB-0270	Ball With Strap	1
13	YAC-RC-0540-00	Side Wall	1
14	YAC-PF-PB-0237	Hose Barb 1/8" NPT Male x 1/8"NB	2
15	YAC-FN-PB-0178	Set Screw M5 x 5mm	1
16	YAC-PF-0321-00	Socket Head Plug 3/8" NPT	1
17	YAC-RC-PB-0267	Lever Safety Lock	1
18	YAC-RC-PB-0268	Bumper Button	1



Blast Pots & Cabinets - Remote Control Valves - Abrasive Control Valves - Blast Nozzles - Nozzle Holders & Couplings - Helmets & Breathing Air Filters - Blast Suits



Surface Finishing
Equipment Group



Distributed by:
Hogg Blasting & Finishing Equipment Ltd
Tel: 0191 415 3030
Abraclean Ltd
Tel: 0161 480 8087
Part of the Surface Finishing Equipment Group
www.sfeg.co.uk